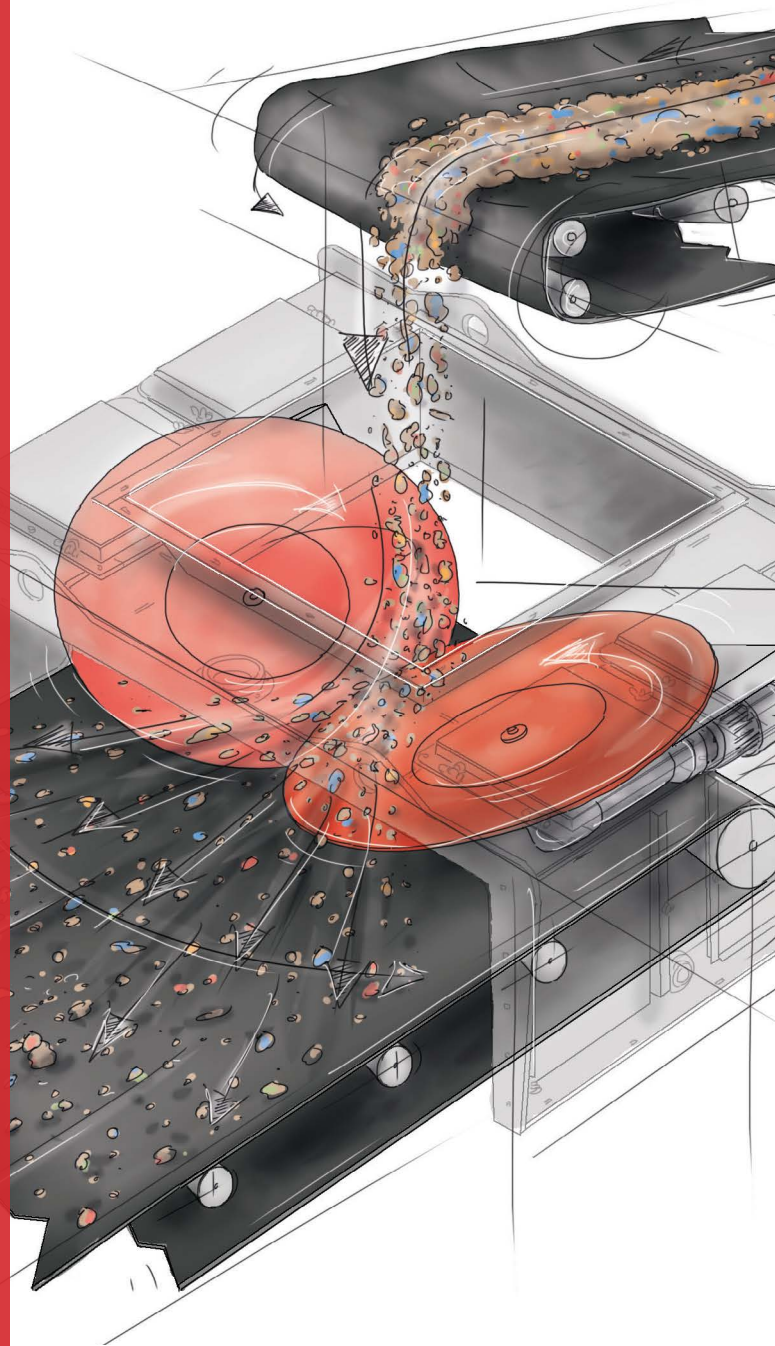
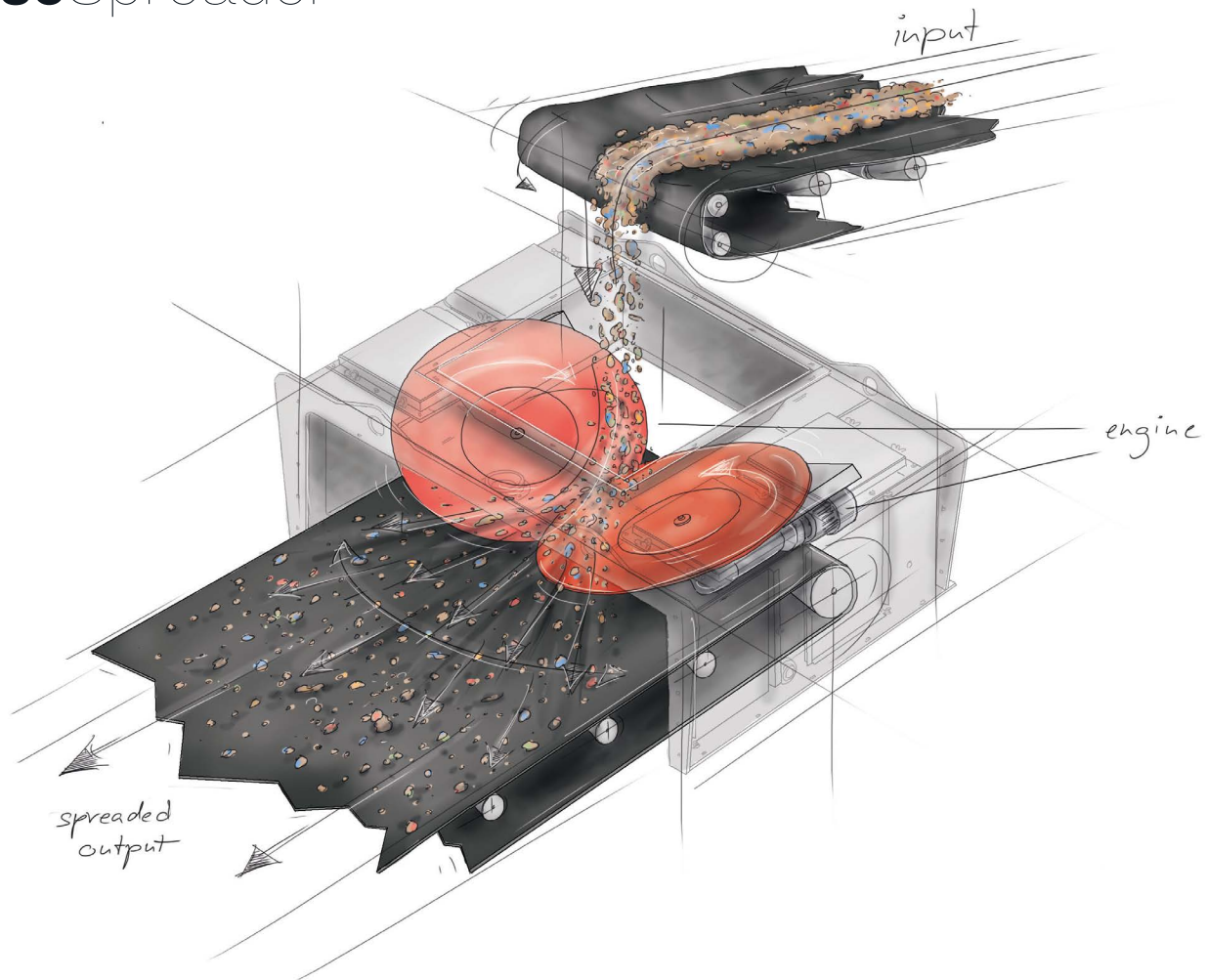


DiscSpreader®

SPREADING | PRODUCT PRESENTATION



DiscSpreader®



Optimal material distribution

Our DiscSpreaders are known for perfectly spreading glass, wood, compost, scrap, slag, waste or any other kind of bulk material. They work with linear and non-linear material feeding and are extremely

maintenance-friendly and space-saving. Depending on your application, our DiscSpreaders are available in different versions: classic, head, add, move and automove.

About us

Westeria is a German company from Westphalia with over 60 years of experience producing innovative machinery. Since 1956, our product portfolio has largely grown to provide high-quality machines, technical expertise and excellent service to our clients. We are constantly developing new recycling machines and conveyor systems for what is perhaps the biggest challenge of the present day: make the circular economy a valuable and profitable reality all over the world.

Key advantages

Low maintenance

Since the material only comes into contact with the distribution unit for an extremely short time, you avoid sticky residues.

Space-saving

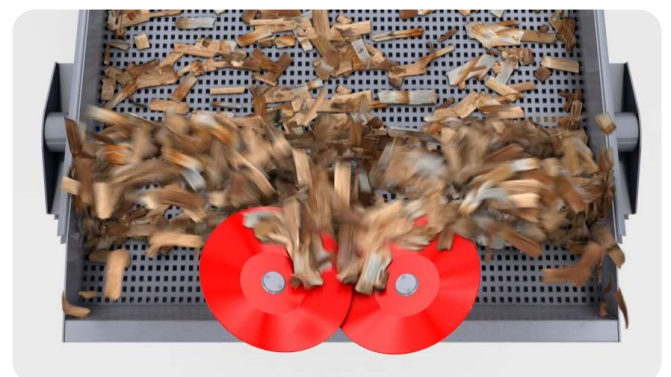
Compact design that saves up to 7 m in comparison to vibro tables.

Flexible width

The distribution's width can be expanded from 1.500 mm to 3.000 mm.

Precise adjustment

The spreading discs can be adjusted with high precision manually or with artificial intelligence.



Versions

Our DiscSpreaders are available in the following versions:

- classic: No matter if NIR, Eddy Current or windsifter, our bestseller the DiscSpreader classic is always the perfect device to distribute the material flow over an even width. Our basic model is perfect when your material composition rarely changes.
- add: Add-on DiscSpreader especially designed to be built into our AirStar windsifter. To learn more about this machine check the related leaflet.



- head: Our patented system allows the spreading machine to be mounted directly into the transfer head of any type of conveyor belt.

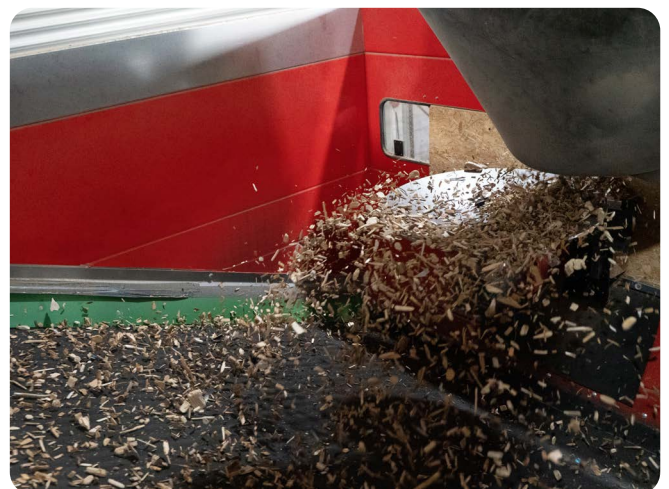


- move: Design with only one disc, which makes the machine extremely compact, while still offering maximal efficiency, as the disc can be moved following the three axes.
- automove: Automatic control and adjustment through artificial intelligence. It also only needs one disc to spread the material perfectly. Thanks to visual detection and self-learning algorithms, the disc readjusts its position as the material composition changes.

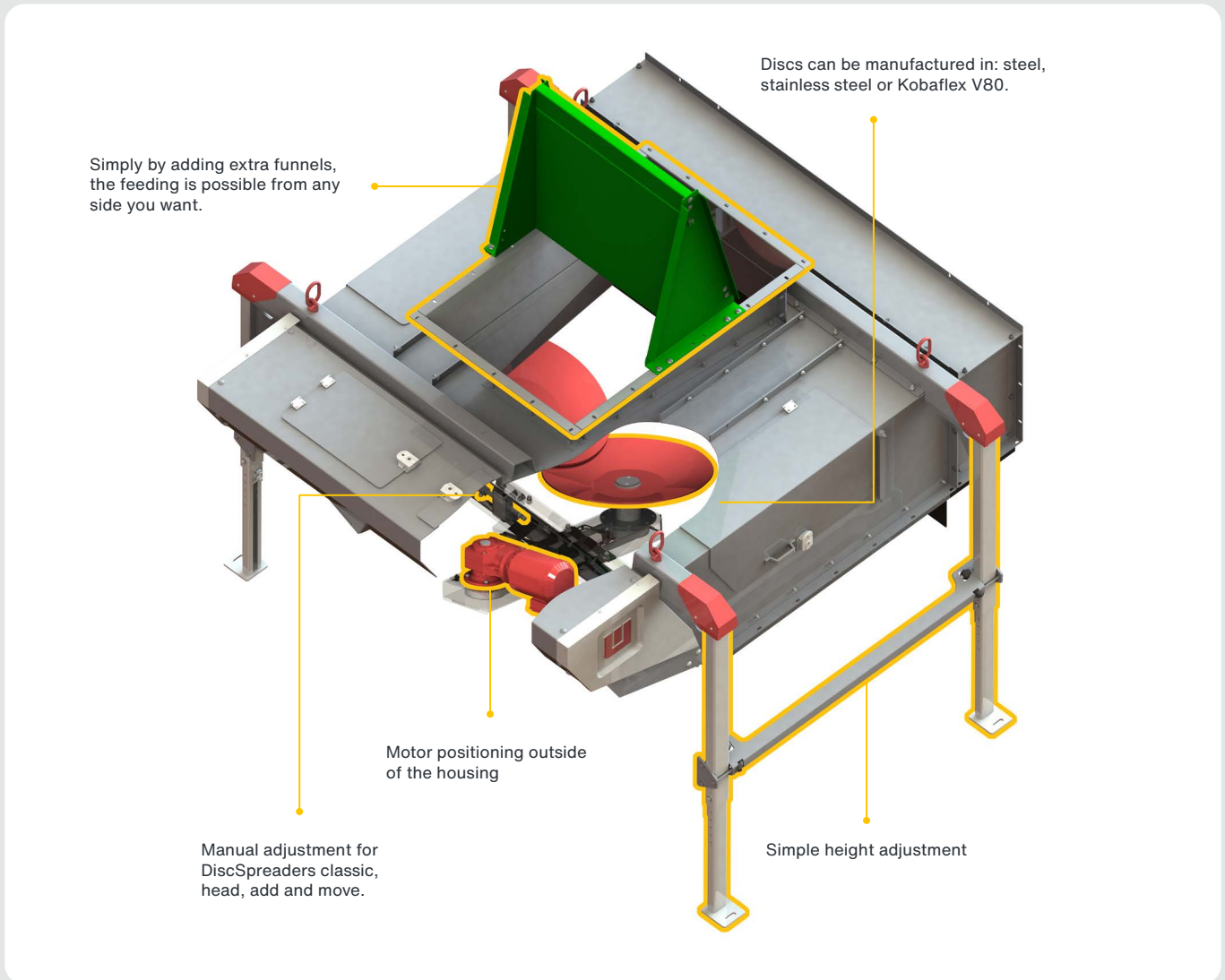


Application examples

- To replace vibrating tables that take up a lot of space and require a lot of maintenance.
- For the pre-processing of optical or ballistic separators, screens, windsifters or even manual sorting.
- To optimize the throughput and purity of existing applications.
- It can spread any bulk material, such as glass, wood, compost, scrap, slag or waste.

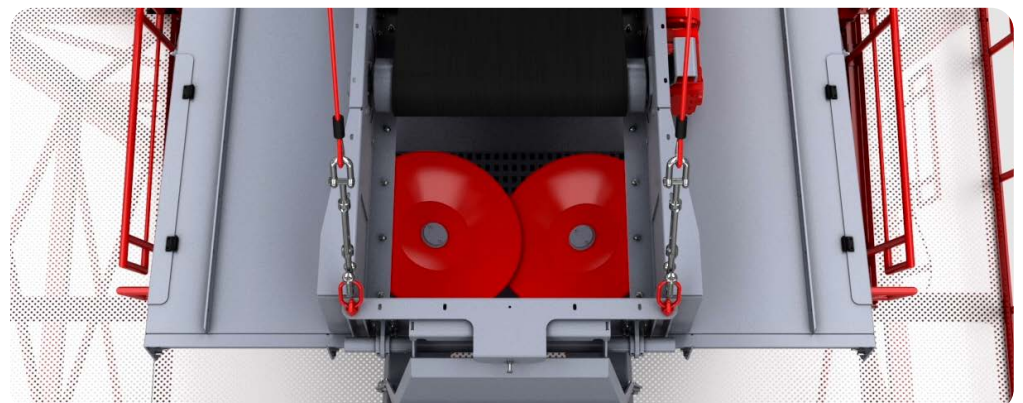


Details



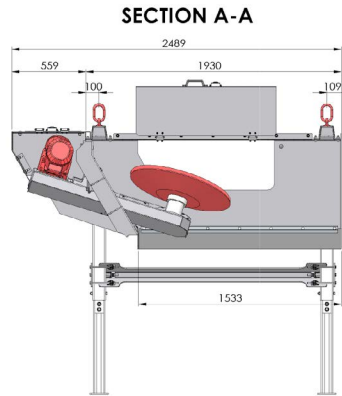
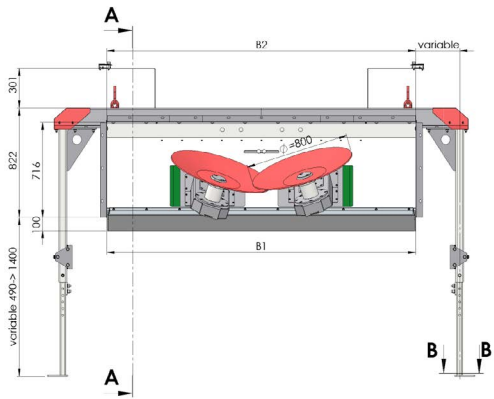
Technology Center

Let us analyse your ROI: We will test the performance of your materials at our Technology Center and we assure you that you will achieve the same results with your application.



Technical information

DiscSpreader classic Ø 800 mm



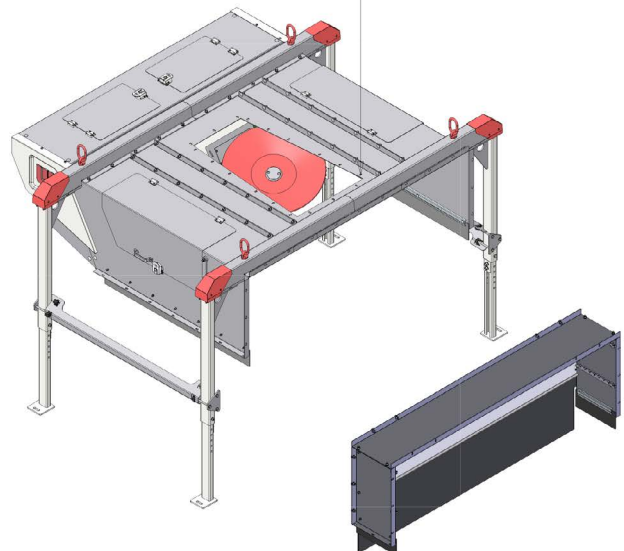
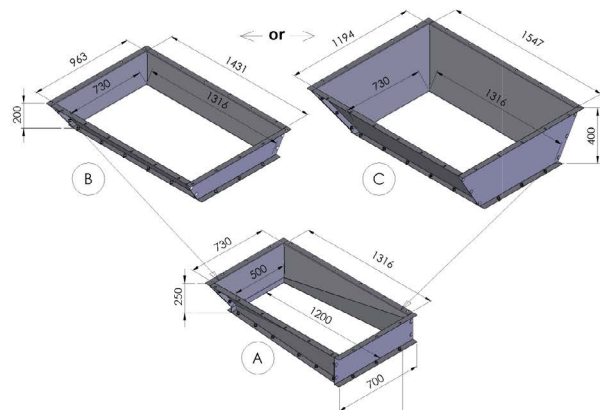
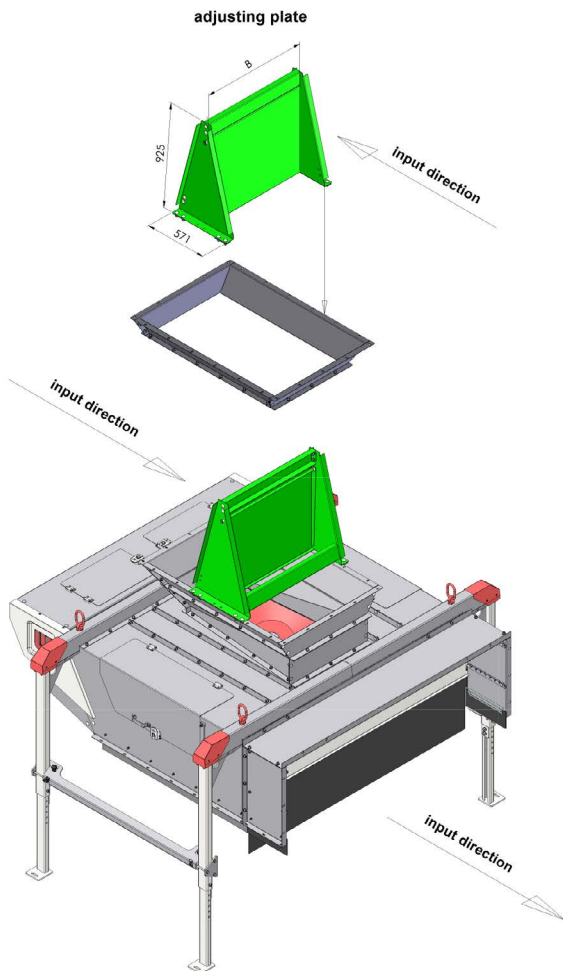
Model	B1 (mm)	B2 (mm)
800/1500	1330	1830
800/2000	1830	1830
800/2500	2330	2330
800/3000	2830	2830

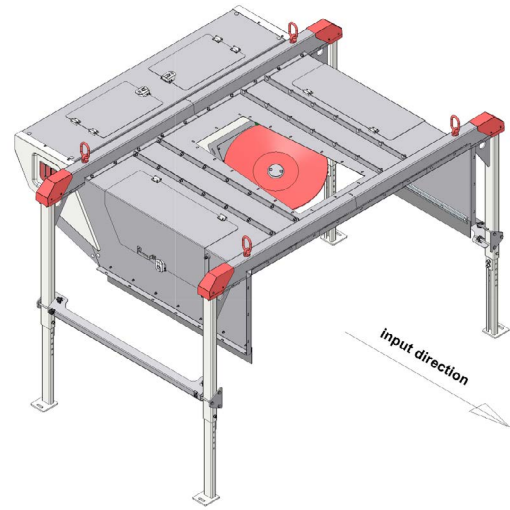
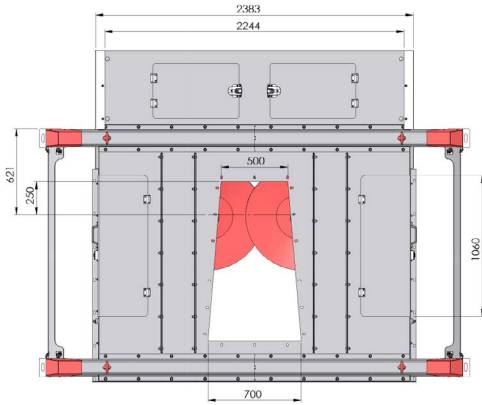
Funnel	B (mm)
A	730
B	963
C	1194

SECTION B-B



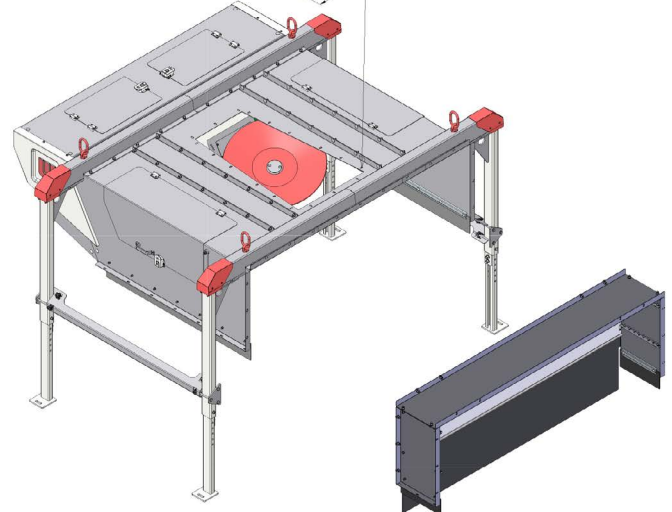
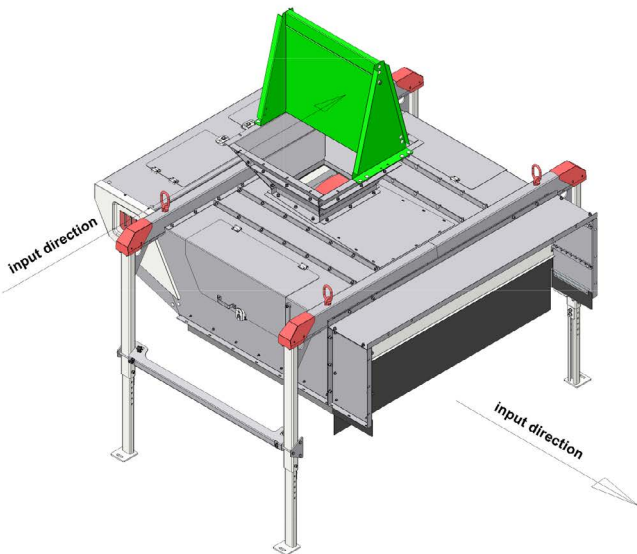
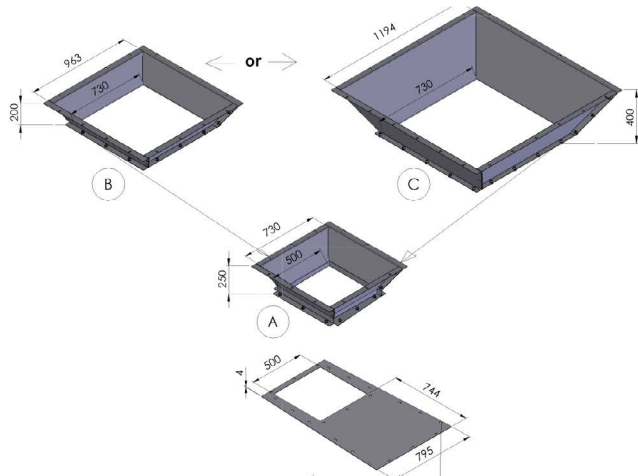
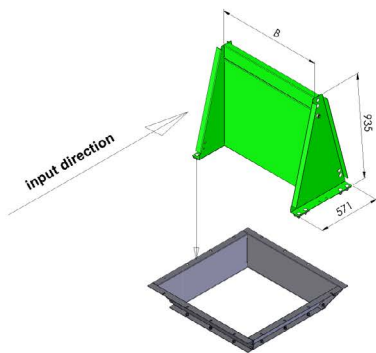
Chutes for in line input direction



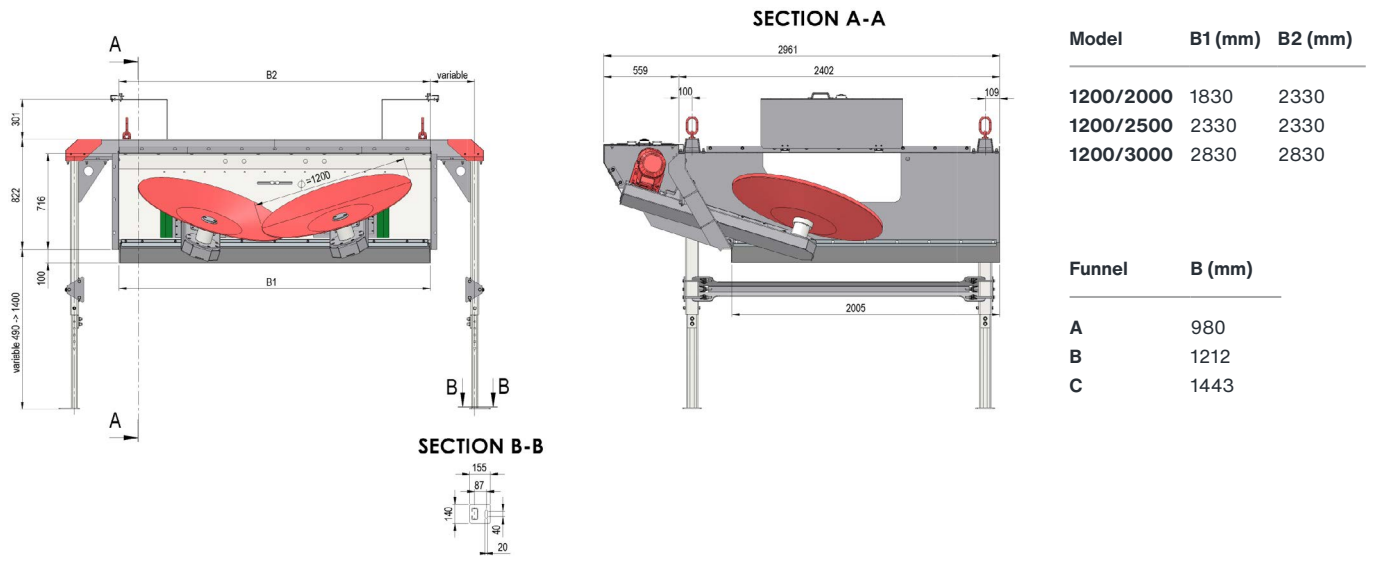


Chutes for 90° input direction

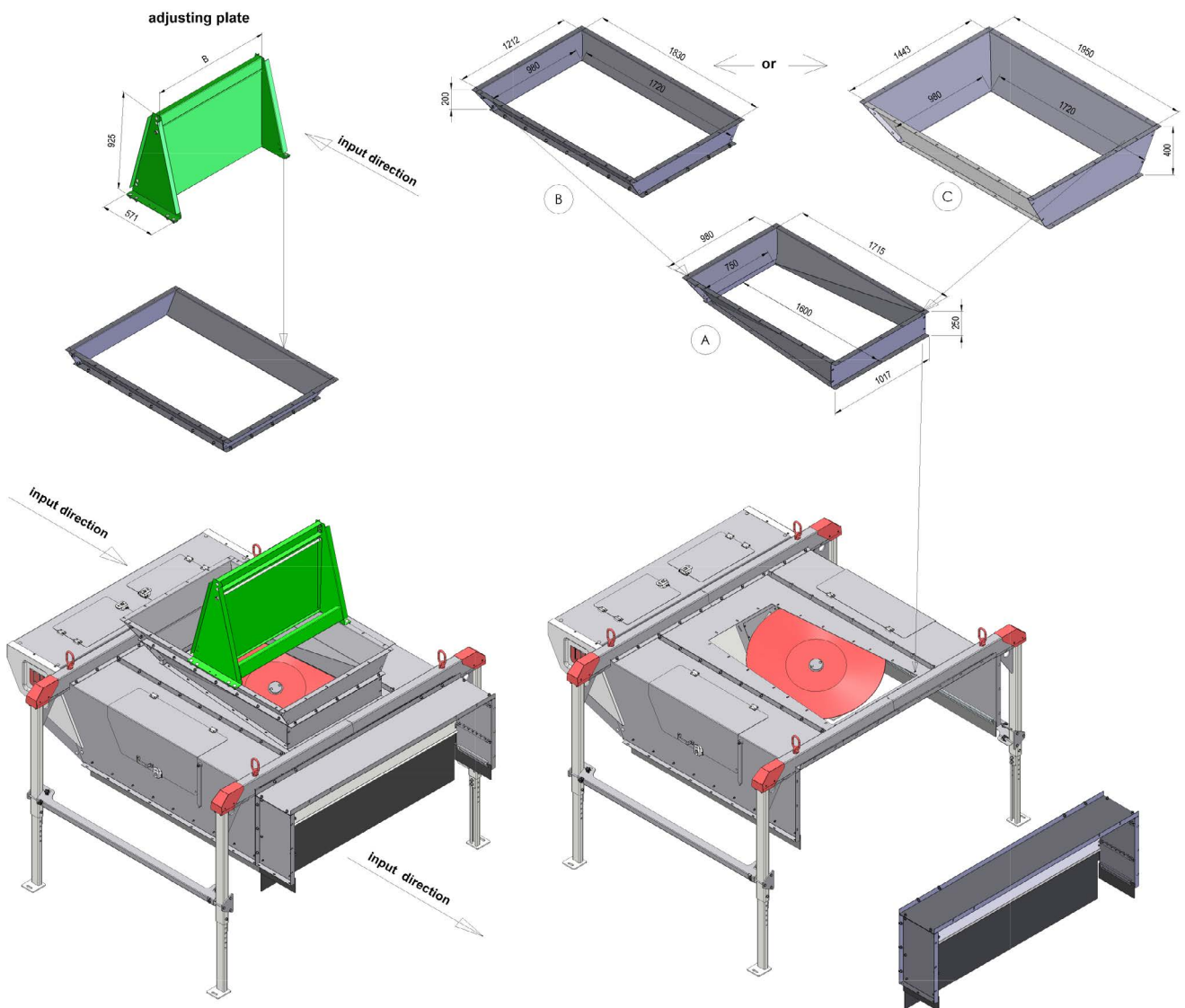
adjusting plate

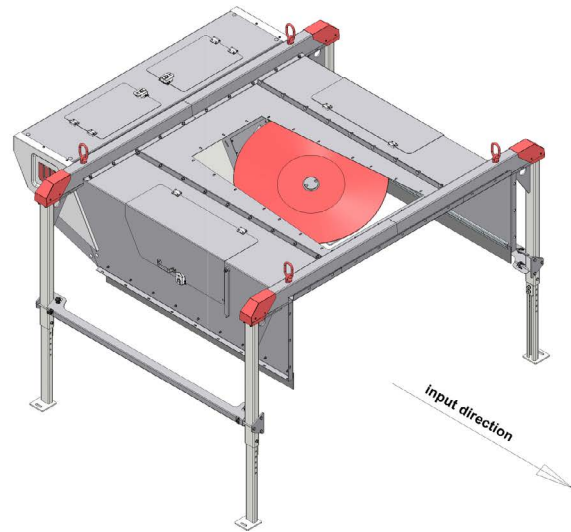
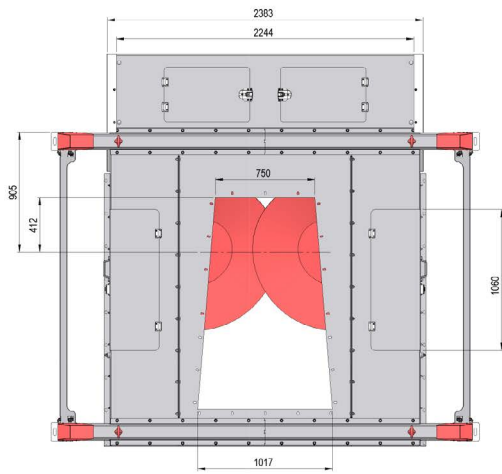


DiscSpreader classic Ø 1200 mm



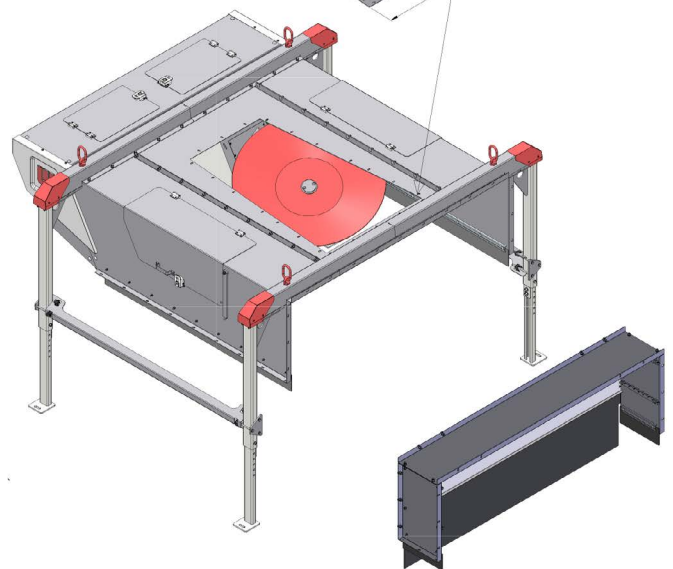
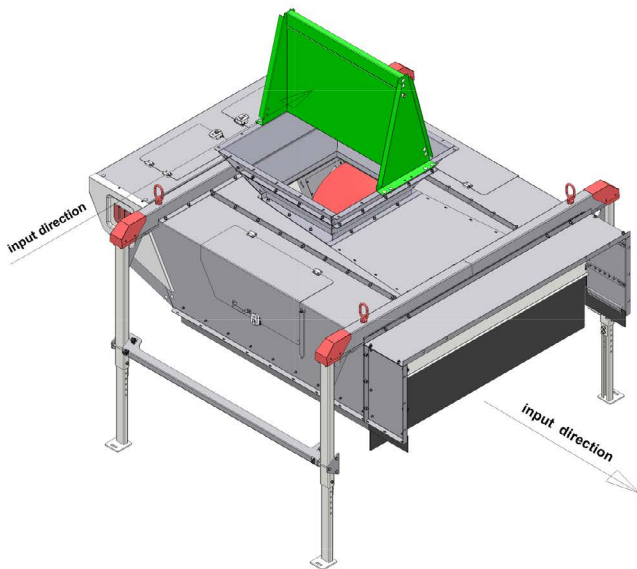
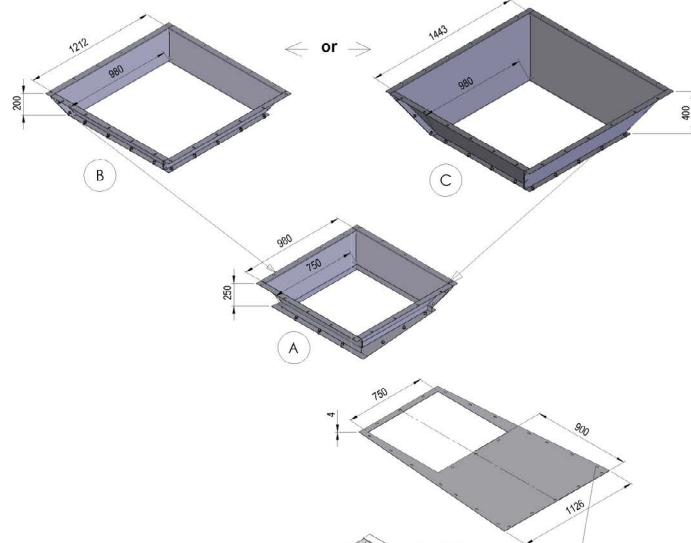
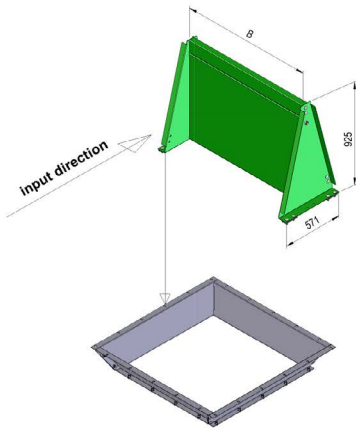
Chutes for in line input direction





Chutes for 90° input direction

adjusting plate



DiscSpreader head Ø 600 mm standard

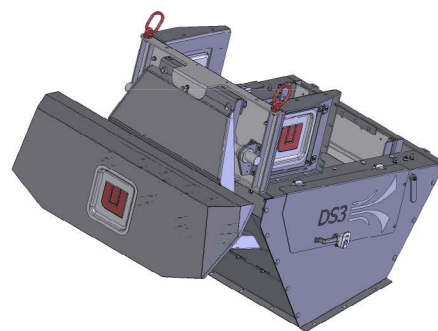
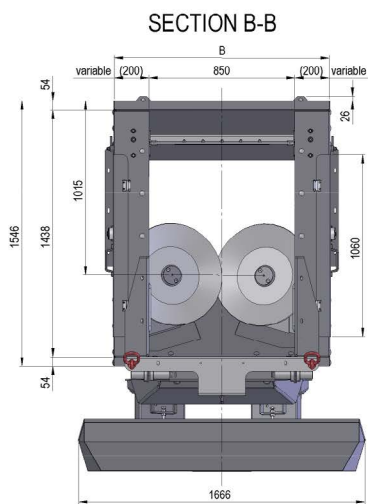
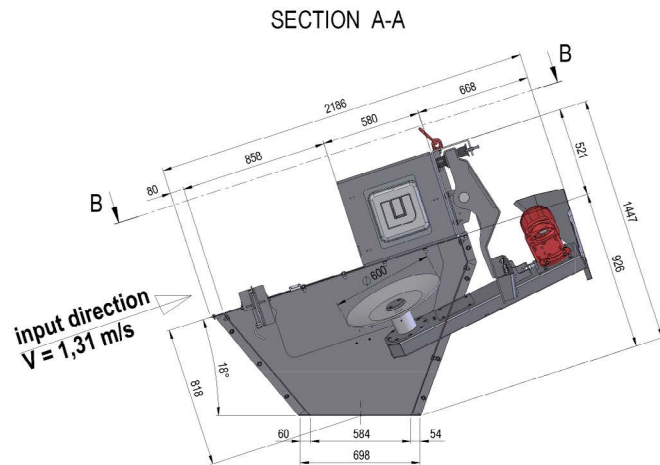
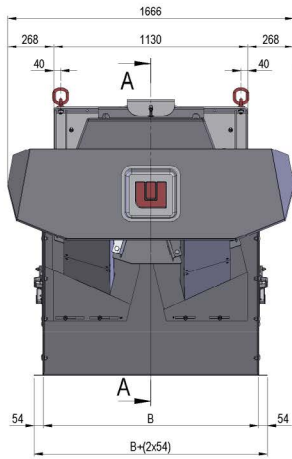
Discharge width = B (mm)

1250 (drawn example)

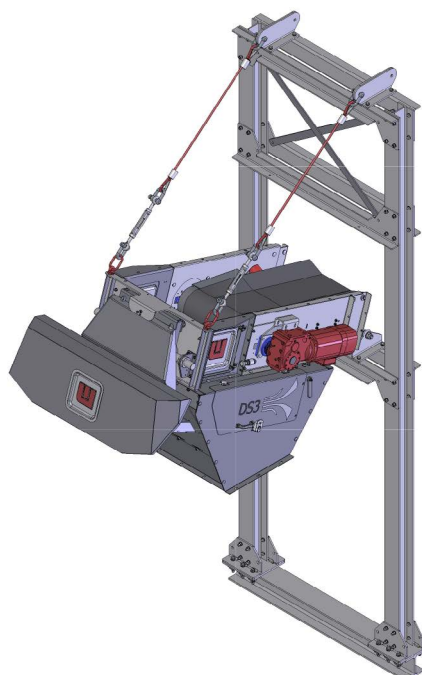
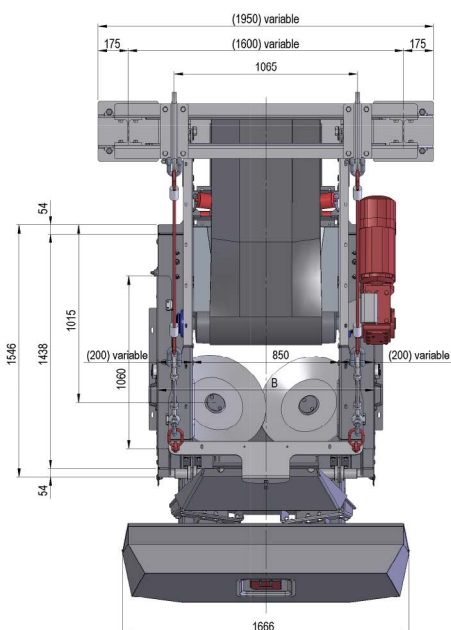
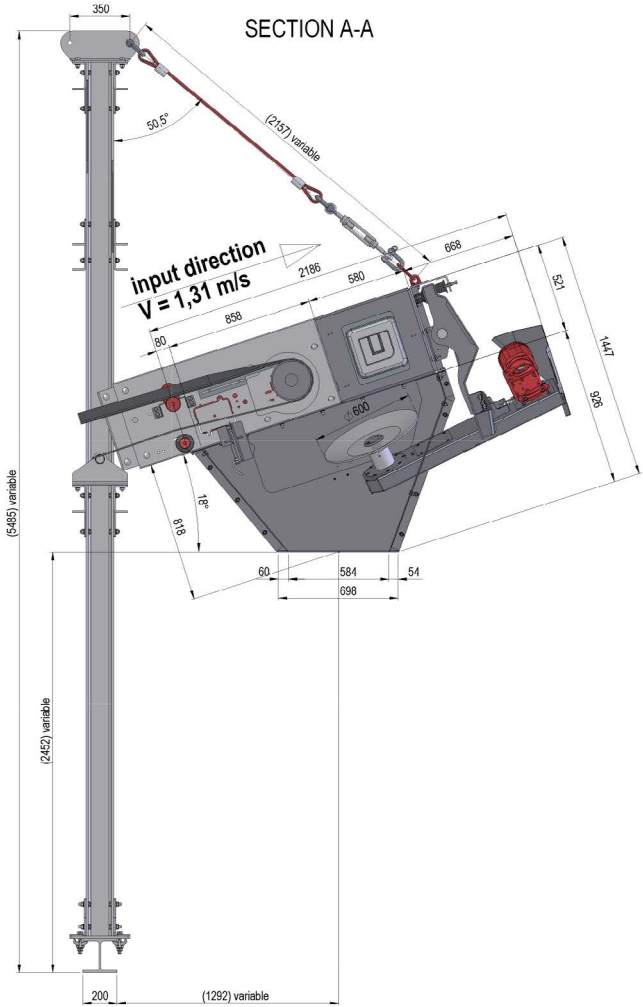
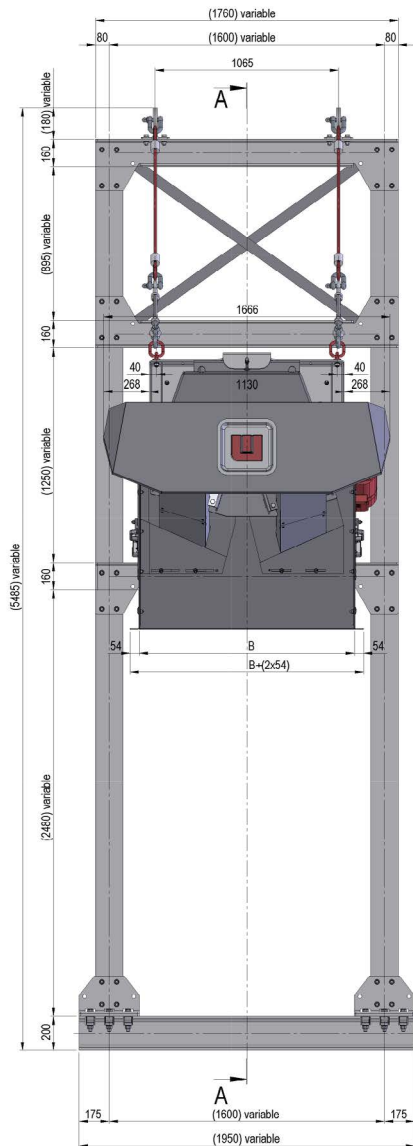
1500

1750

2000



DiscSpreader head Ø 600 mm with pylon support

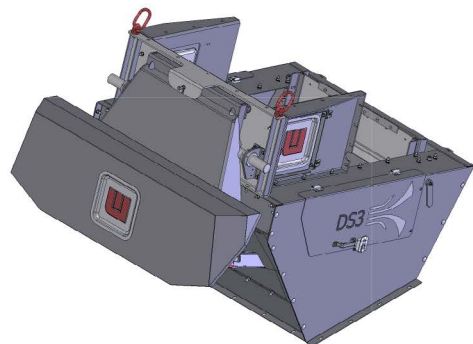
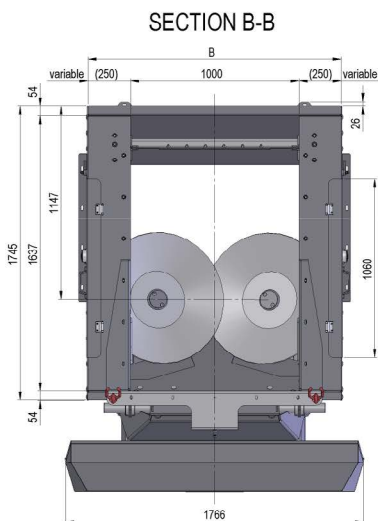
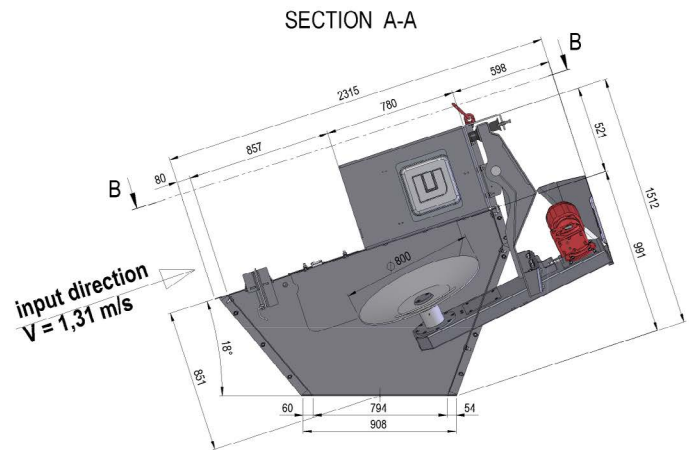
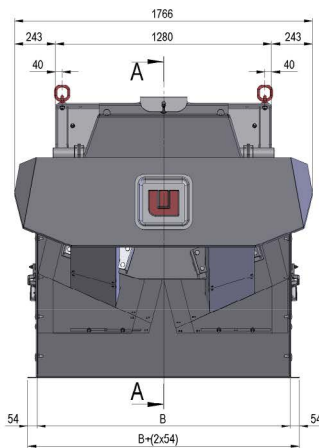


Disc Spreader head Ø 800 mm standard

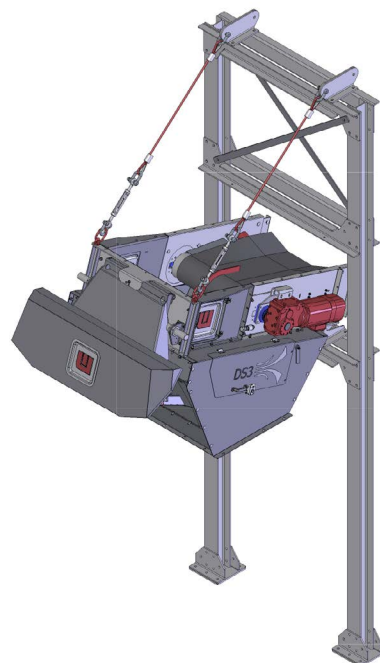
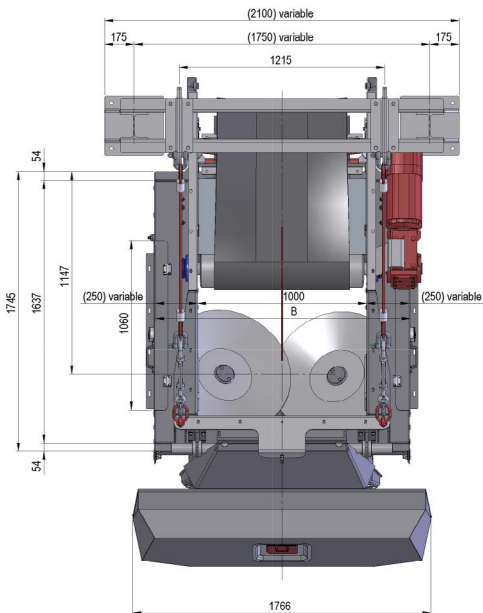
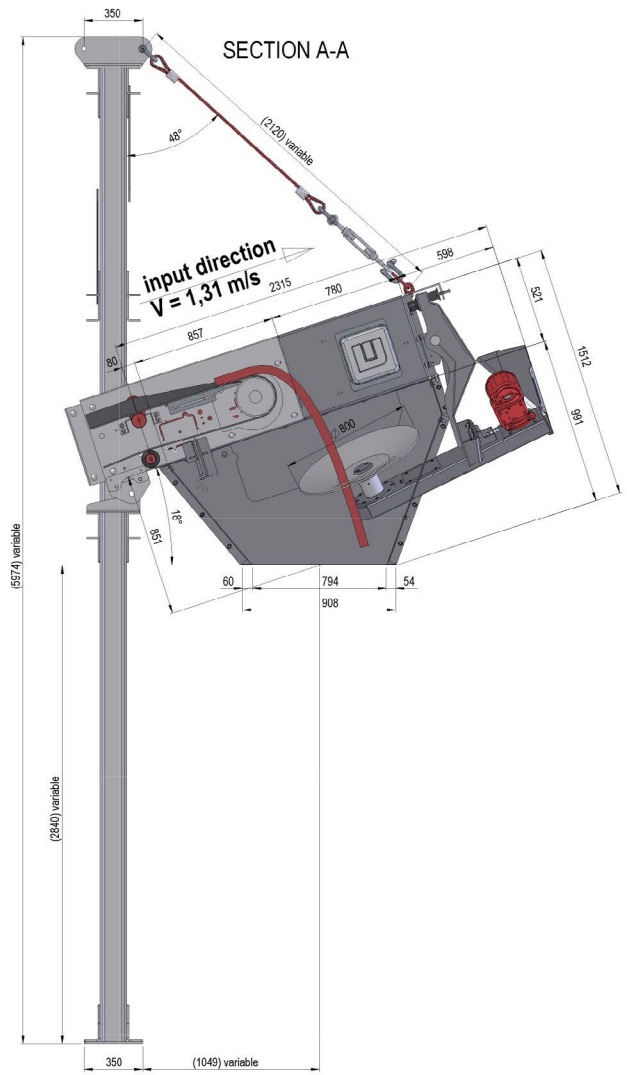
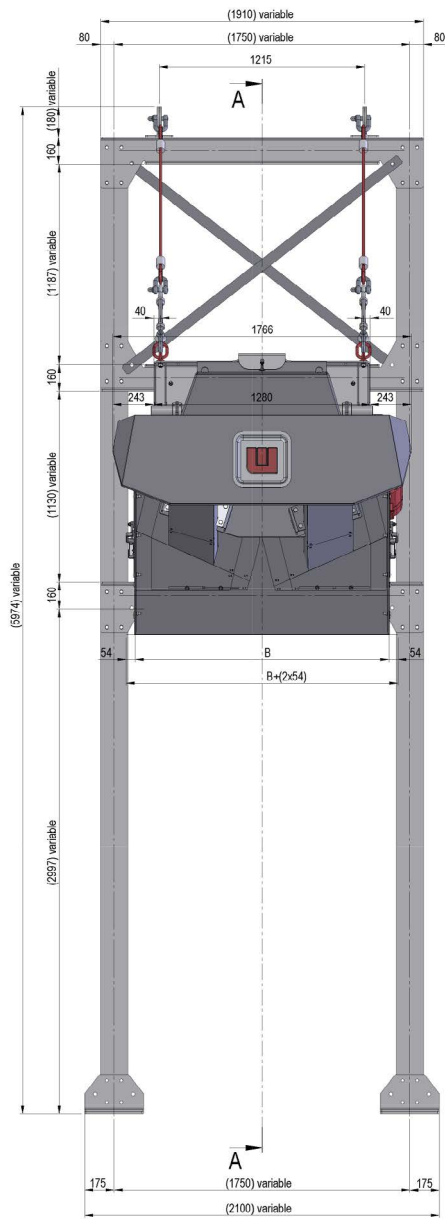
Discharge width = B (mm)

15000 (drawn example)

- 1750
- 2000
- 2250
- 2500
- 2750
- 3000



DiscSpreader head Ø 800 mm with pylon support





Westeria® GmbH

Raiffeisenstr. 2, 48346 Ostbevern, Germany
Tel +49 2532 88-0 | www.westeria.de